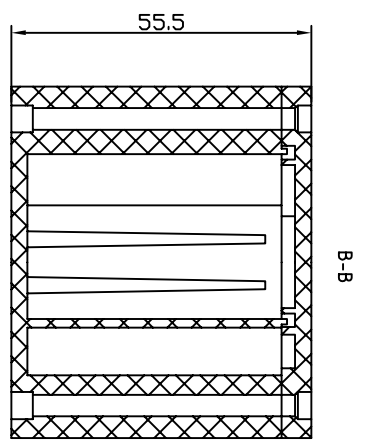
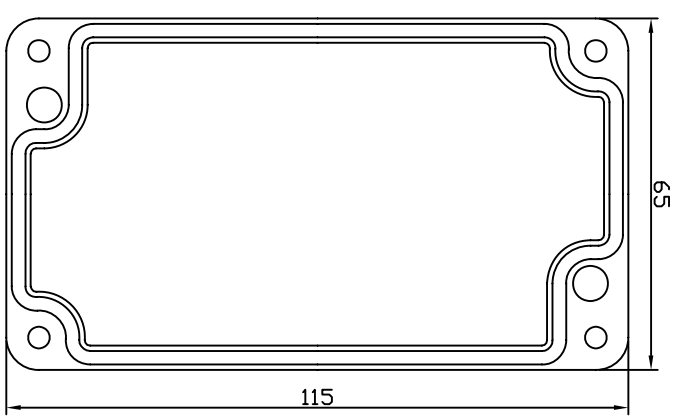
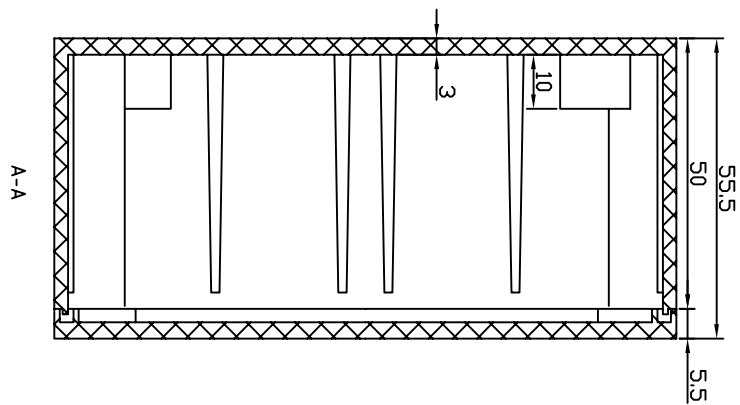
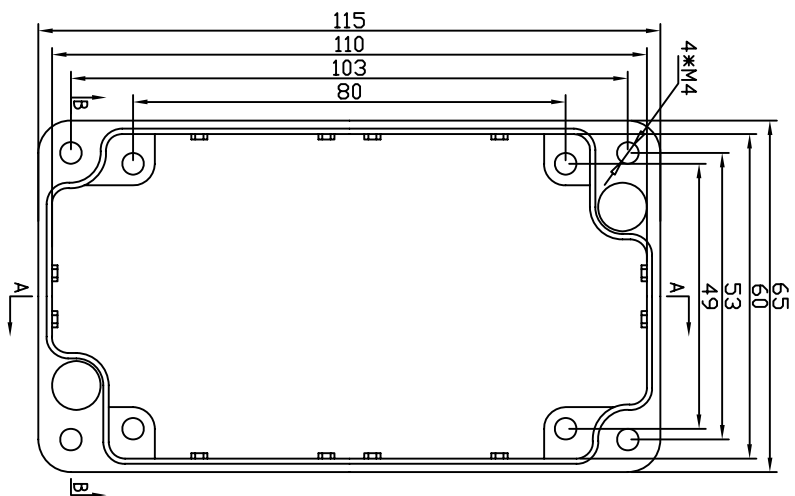


REVISION RECORD				
REV/	ECN/	DESCRIPTION	DRFT	CHKD



DETACHED LISTS		TOLERANCES EXCEPT AS NOTED		ANGLES ± 5°	
MM	INCHES	MM	INCHES	MM	INCHES
± 0.03	± 0.0012	± 0.01	± 0.0004	±	±
± 0.02	± 0.0008	±	±	±	±
± 0.01	± 0.0003	±	±	±	±

THIRD ANGLE PROJECTION	SCALE: 1:1	FINISH:	QT'Y: 1	MATERIAL: AL	DATE:
DRFTD:	CHKD:	WFD:	APVVL:	DATE:	DATE:

		<b>EVEREST</b> WWW.EVERESTCASE.COM	
TITLE			
AW023			
DRAWING NO. AW023		SIZE REV	
/PART NO. 00		A4	
DD NOT SCALE DRAWING		SHEET 1 OF 1	