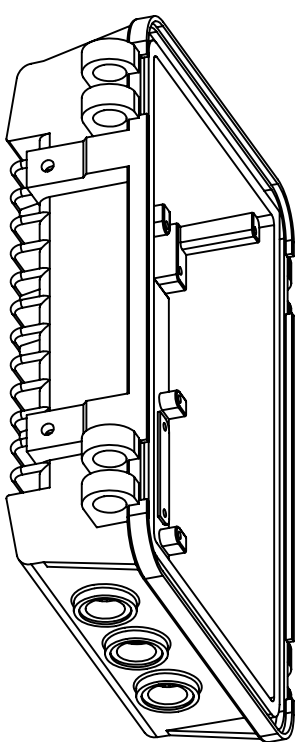
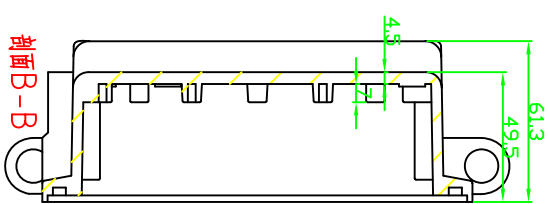
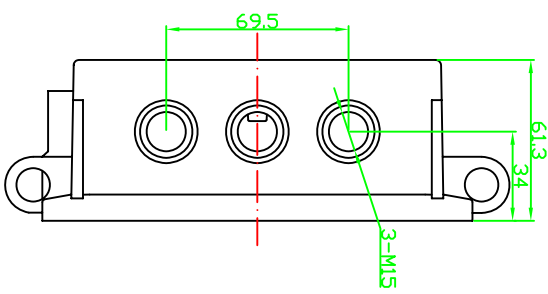
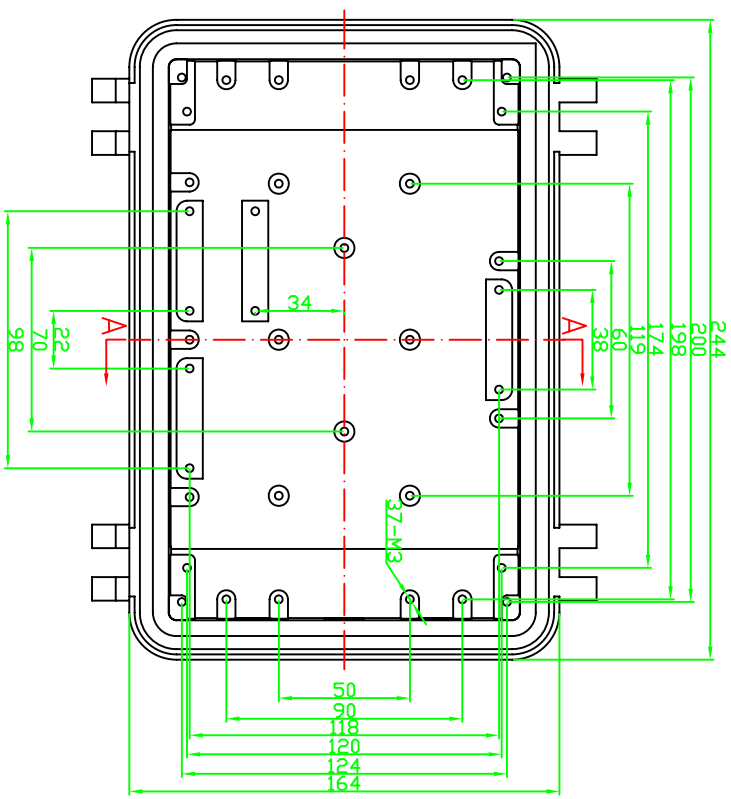


REVISION RECORD				
REV	ECD	DESCRIPTION	DRFT	CHKD



DETACHED LISTS			
 FIRST ANGLE PROJECTION	TOLERANCES EXCEPT AS NOTED MM .1 ± 0.3 .00 ± 0.2 .000 ± 0.1	ANGLES ± 5°	DRFTD DATE CHKD DATE MFD DATE APPVL DATE
FINISH:	MATERIAL: AL	QTY: 1	DATE
SCALE: 1:1	TITLE 埃弗勒斯 EVEREST WWW.EVERESTCASE.COM	DRAWING NO. AAP011	SIZE A4
DD NOT SCALE DRAWING	SHEET X	OF Y	REV